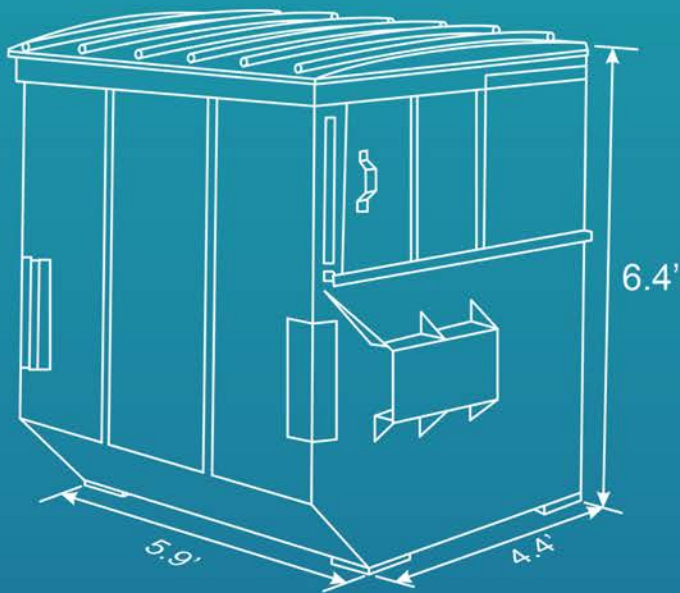




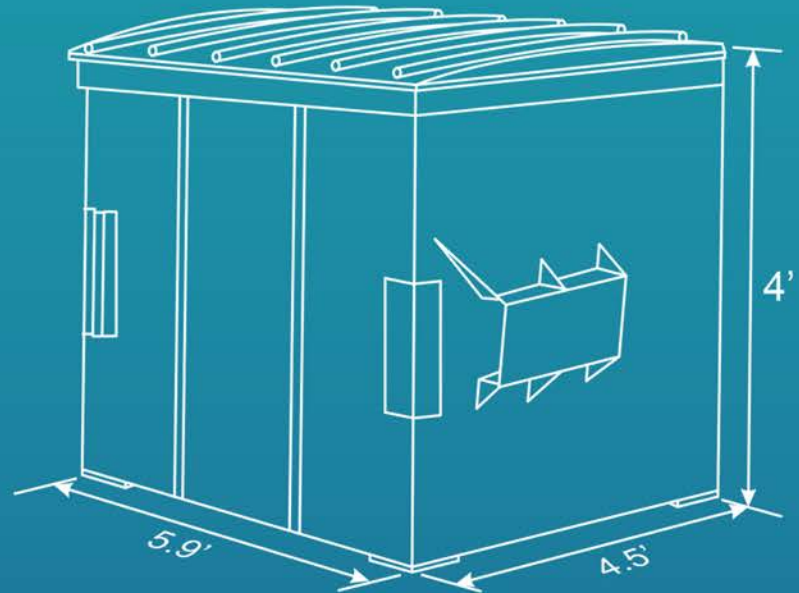
PEAK WASTE



8 Yard Container

Eight Cubic Yard Container

Rule of Thumb: 8 yard container holds 56 bags of garbage



4 Yard Container

Four Cubic Yard Container

Rule of Thumb: 4 yard container holds 28 bags of garbage (limited quantities)

Landfill Regulations prohibit the following items or materials being disposed of in their facilities or require special handling for them:

- Tires
- White Goods/Appliances
- Motor Oils or Liquids of Any Kind
- Fluorescent Bulbs/Tubes
- Soil
- Asbestos In Any Form - Shingles, insulation, siding & old sheet flooring can contain Asbestos.
- Any Container of 5 Gallon Capacity or Greater - unless both ends are removed
- Volatile Chemicals
- Any Material with the Propensity to Produce a Foul
- Fluorescent Fixtures - unless ballasts have been removed
- Any other material deemed unlawful as described in the North Carolina solid Waste Management Rules as amended.
- Lead Acid Batteries
- Yard Waste
- Hazardous Waste as described in 40 CFR 258
- Odor
- Explosives

Front End Loader Truck Height 17'9", Length 37'

CONTACT US

RACHEL BUNCE

☎ (336) 399-8271 | ✉ rachel@peakwaste.net

ASK US ABOUT CARDBOARD ONLY!